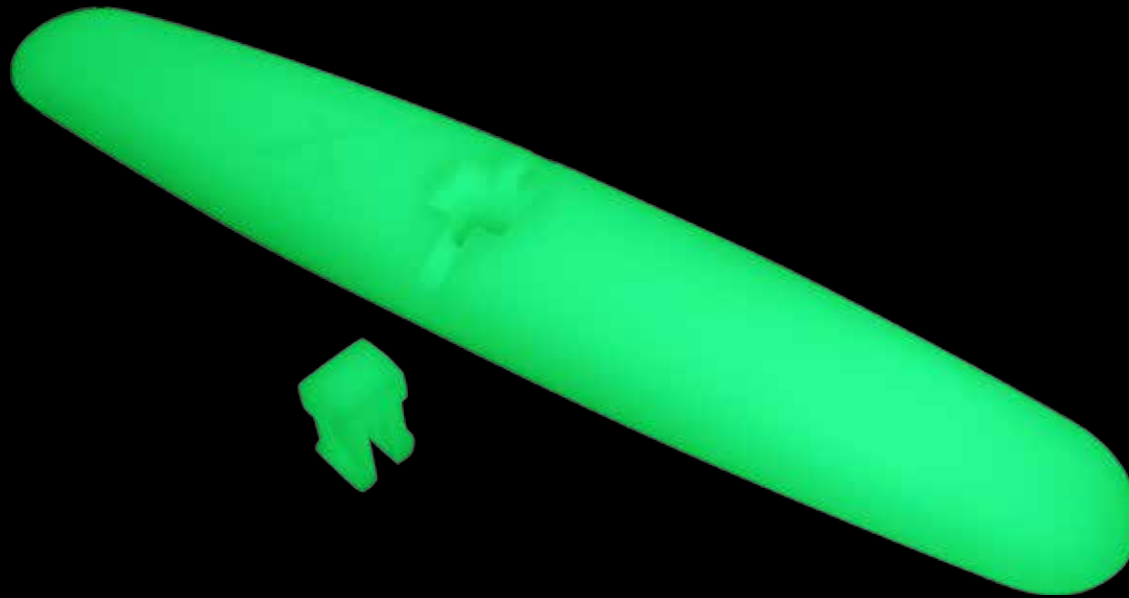


ILLUMINATING BIKE ILLUMINATOR

GLOXX
POWERLESS ILLUMINATION™

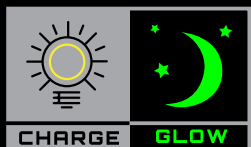


> SPECIFICATIONS

LENGTH
247 mm

HEIGHT
28 mm

THICKNESS
14 mm



BIKE ILLUMINATOR

The Bike Illuminators charge quickly with any form of powered or natural light and then illuminate for 10+ hours depending on light conditions.

The Bike Illuminator simply clips to the wheel of a bike, motorcycle, scooter, wheelchair or many spoke based wheels, allowing for additional low light, enhancing safety, especially with side impact awareness, giving a illuminated 360 degree when in motion.

> FITTING APPLICATIONS

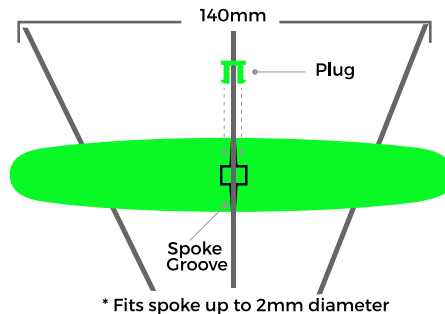
- Fits spoke up to 2mm diameter
- Easily attachable to wheel spokes with an included press in plug
- 360 side light illumination when in motion

> FITTING INSTRUCTIONS

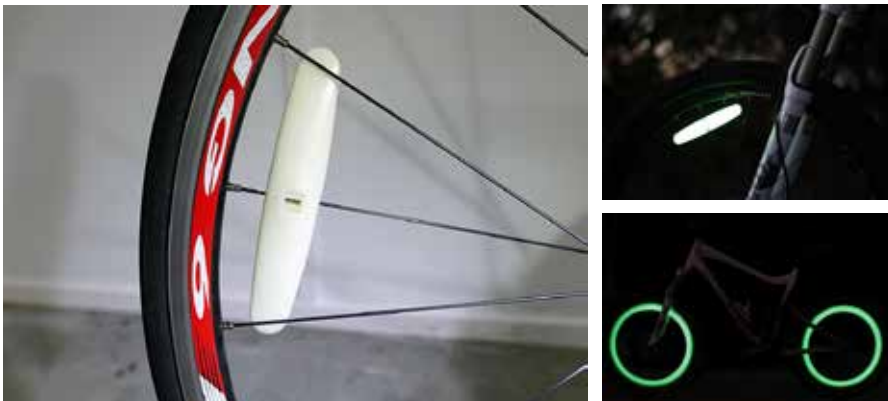
STEP 1. Place the Bike Illuminator on the wheel so the spoke slots into the groove along the centre of the Bike Illuminator.

STEP 2. Use the square plug to secure the spoke to the Bike Illuminator.

STEP 3. Expose Bike Illuminators to any form of natural or powered light or for instant charge expose to high level light.



BE SAFE - BE VISIBLE - BE SEEN



150 mm IN LENGTH TWIN PACK

ENHANCES SAFETY - INCREASES VISIBILITY

ILLUMINATES FOR 10+ HOURS

FULL LUMINANCE EFFECT IS BEST ACHIEVED IN TOTAL DARKNESS.



ILLUMINATES 360 WHEN IN MOTION

Product Code: 0136G
Made from UV Polypropylene

SCAN THE QR CODE
WITH YOUR SMARTPHONE
TO LEARN MORE OR GO TO
WWW.GLO-X.COM

